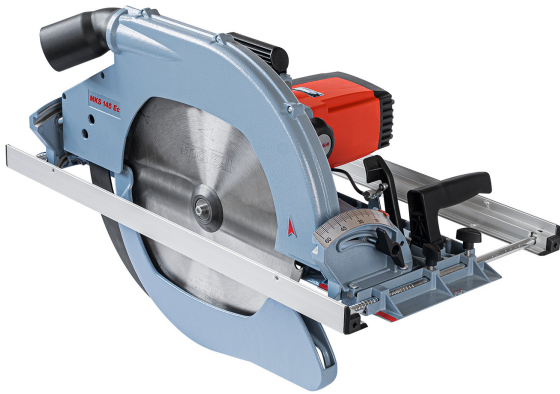


## Portable Circular Carpentry Saw MKS 145 Ec

ref.no.: 924701

EAN: 4032689061825

▶ boxed



### Technical data

Cutting depth	2 9/16 - 5 11/16 Inch
Cutting depth at 45°	1 13/16 - 4 1/16 Inch
Cutting depth at 60°	1 1/4 - 2 7/8 Inch
Tilt range	0 - 60 °
Nominal No. of strokes – no load	1900 - 2300 1/min
Nominal power input	3.5 hp
Weight	30.4 lbs
Universal motor	230 V / 50 Hz

### Delivery specification

1 Allen key 6 mm; Ref. No. 093081

1 Parallel guide fence

1 TCT saw blade 370 x 2.2/4.2 x 30 mm (14 9/16 in.), AT, 26 teeth (MKS 145 Ec) Ref. No. 092526

1 Mains cable 10 m (32.8 ft); Ref. No. 087612

## Examples for usage



Top results, as shown here with the MKS 165 Ec, can only be achieved with original MAFELL tools.



The cutting depth can be adjusted easily via a precise handwheel.



The tilt range of 0° – 60° enables extreme bevel cuts.



The constant cut display.

## Applications

---

- ▶ Cross-cutting and rip cuts
- ▶ Bevel cuts up to 60°
- ▶ General joining work
- ▶ Compatible materials include solid wood, laminated beams, insulating materials

## Advantages

---

- ▶ Continuously variable speed control for individual requirements and applications.
- ▶ Lower saw guard with remote control - for easy release of the saw blade, e.g. when positioning at sharp angles.
- ▶ Constant cut display for 0° - 60° - due to exact centre of rotation, which is on the underside of the base plate.
- ▶ With tool brake - for optimum operator safety and work processes.

## Description

---

Carpenter's portable circular saws with extraordinary weight/performance ratio. Only possible due to the use of ultra-modern die-cast magnesium alloys.

Tilt through 60° makes the portable circular saws a universal partner.

An easy-to-read scale on the cutting depth adjustment makes work easier and saves tiresome re-measurement.

The saw's handling and behavior are refined by smooth starting, constant speeds under load, speed reduction and overload protection.

The easy-to-use stop system of the MKS and the adjustable hose connector make your work much easier.

## Accessories / Tools



**Guide rail**  
length 3 m (9.8 ft) (2 pieces with connecting piece)



**Guide rail F 80**  
0,8 m (2,6 ft) long



**Guide rail F 110**  
1.1 m (3.6 ft) long



**Guide rail F 160**  
1.6 m (5.2 ft) long



**Guide rail F 210**  
2,1 m (6,9 ft) long



**Guide rail F 310**  
3,1 m (10,2 ft) long



**Angle fence F-WA**



**Guide pocket set**  
2 x F 160 + F-VS + 2 x F-SZ 180 MM + 1 guide pocket



**End cap F-EK**  
2 pieces



**Splinter guard F-SS 3,4M**  
3.4 m (11.2 ft.) long



**Guide rail**  
length 3 m (9.8 ft) (one piece)



**Guide rail extension**  
length 1,5 m (4.9 ft)



**Adapters (pair)**  
for parallel guide fence



**TCT saw blade**  
370 x 2.2/4.2 x 30 mm (14 9/16 in.), AT, 18 teeth, for ripping cuts (MKS 145 Ec)



**TCT saw blade**  
370 x 2.2/4.2 x 30 mm (14 9/16 in.), AT, 26 teeth, for universal use (MKS 145 Ec)



**Connecting piece F-VS**  
for joining two guide rails



**Guide pocket F 160**  
for guide rails up to 1,6 m



**Guide pocket set**  
F 80 + F 160 + F-WA + F-VS + 2 x F-SZ 180MM + Guide pocket



**Non-slip profile F-HP 6,8 M**  
6.8 m (22.3 ft.) long



**Lever clamp F-SZ 180MM**  
2 pieces, for fixing guide rail to workpiece

## contact

---

MAFELL AG

Beffendorfer Straße 4  
D-78727 Oberndorf / Neckar  
Germany

Tel.: +49 7423 / 812-114  
Fax: +49 7423 812-102  
Email: [export@mafell.de](mailto:export@mafell.de)