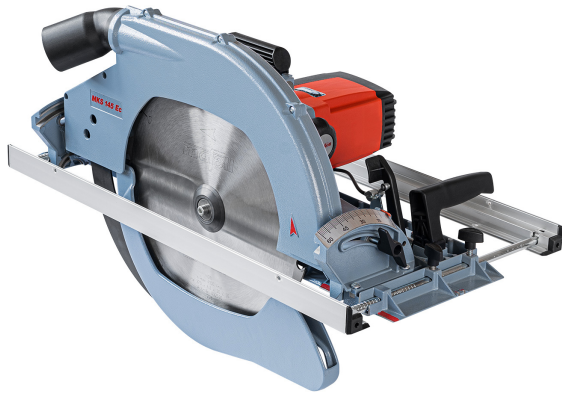


Portable Circular Carpentry Saw MKS 145 Ec

ref.no.: 924701

EAN: 4032689061825

▶ boxed



Technical data

| | |
|----------------------------------|-----------------------|
| Cutting depth | 2 9/16 - 5 11/16 Inch |
| Cutting depth at 45° | 1 13/16 - 4 1/16 Inch |
| Cutting depth at 60° | 1 1/4 - 2 7/8 Inch |
| Tilt range | 0 - 60 ° |
| Nominal No. of strokes – no load | 1900 - 2300 1/min |
| Nominal power input | 3.5 hp |
| Weight | 30.4 lbs |
| Universal motor | 230 V / 50 Hz |

Delivery specification

1 Allen key 6 mm; Ref. No. 093081

1 Parallel guide fence

1 TCT saw blade 370 x 2.2/4.2 x 30 mm (14 9/16 in.), AT, 26 teeth (MKS 145 Ec) Ref. No. 092526

1 Mains cable 10 m (32.8 ft); Ref. No. 087612

Examples for usage



Top results, as shown here with the MKS 165 Ec, can only be achieved with original MAFELL tools.



The cutting depth can be adjusted easily via a precise handwheel.



The tilt range of 0° – 60° enables extreme bevel cuts.



The constant cut display.

Applications

- ▶ Cross-cutting and rip cuts
- ▶ Bevel cuts up to 60°
- ▶ General joining work
- ▶ Compatible materials include solid wood, laminated beams, insulating materials

Advantages

- ▶ Continuously variable speed control for individual requirements and applications.
- ▶ Lower saw guard with remote control - for easy release of the saw blade, e.g. when positioning at sharp angles.
- ▶ Constant cut display for 0° - 60° - due to exact centre of rotation, which is on the underside of the base plate.
- ▶ With tool brake - for optimum operator safety and work processes.

Description

Carpenter's portable circular saws with extraordinary weight/performance ratio. Only possible due to the use of ultra-modern die-cast magnesium alloys.

Tilt through 60° makes the portable circular saws a universal partner.

An easy-to-read scale on the cutting depth adjustment makes work easier and saves tiresome re-measurement.

The saw's handling and behavior are refined by smooth starting, constant speeds under load, speed reduction and overload protection.

The easy-to-use stop system of the MKS and the adjustable hose connector make your work much easier.

Accessories / Tools



Guide rail
length 3 m (9.8 ft) (2 pieces with connecting piece)



Guide rail extension
length 1,5 m (4.9 ft)



Adapters (pair)
for parallel guide fence



TCT saw blade
370 x 2.2/4.2 x 30 mm (14 9/16 in.), AT, 18 teeth, for ripping cuts (MKS 145 Ec)



TCT saw blade
370 x 2.2/4.2 x 30 mm (14 9/16 in.), AT, 26 teeth, for universal use (MKS 145 Ec)



Guide rail F 310
3,1 m (10,2 ft) long



Angle fence F-WA



Guide pocket set
2 x F 160 + F-VS + 2 x F-SZ 180 MM + 1 guide pocket



End cap F-EK
2 pieces



Splinter guard F-SS 3,4M
3.4 m (11.2 ft.) long



Guide rail
length 3 m (9.8 ft) (one piece)



Guide rail F 80
0,8 m (2,6 ft) long



Guide rail F 110
1.1 m (3.6 ft) long



Guide rail F 160
1.6 m (5.2 ft) long



Guide rail F 210
2,1 m (6,9 ft) long



Connecting piece F-VS
for joining two guide rails



Guide pocket F 160
for guide rails up to 1,6 m



Guide pocket set
F 80 + F 160 + F-WA + F-VS + 2 x F-SZ 180MM + Guide pocket



Non-slip profile F-HP 6,8 M
6.8 m (22.3 ft.) long



Lever clamp F-SZ 180MM
2 pieces, for fixing guide rail to workpiece

contact

MAFELL AG

Beffendorfer Straße 4
D-78727 Oberndorf / Neckar
Germany

Tel.: +49 7423 / 812-114
Fax: +49 7423 812-102
Email: export@mafell.de